



Project _____

Item No. _____

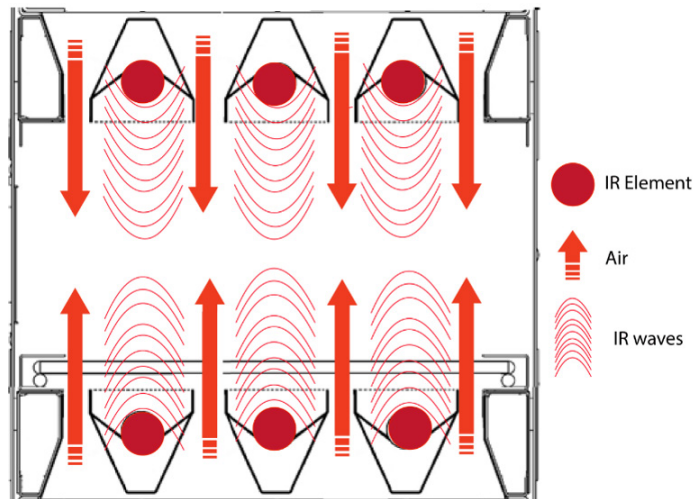
Quantity _____

Single MiLO[®]-14 Oven



Single MiLO[®]-14 Oven

Air + IR = Superior quality food products with one-of-a-kind artisan finish.



VENTLESS OPERATION DETAILS[†]

- UL (KNLZ) listed for ventless operation
- EPA 202 test: Qty (230) 12" pepperoni pizzas, 525°F, 8 hrs
 - Results: 1.81 mg/m³
 - Ventless Requirement: < 5.00 mg/m³
- Internal catalytic filtration to limit smoke, grease, and odor emissions

ASK ABOUT OUR ANTI-MICROBIAL POWDERCOAT STANDARD FOR ALL AVAILABLE COLORS



See ventionovens.com/patents for a complete list of applicable U.S. and international patents

EXTERIOR CONSTRUCTION

- 430 Stainless Steel exterior
- Counter-mount or with 4-inch adjustable legs (included)
- Whisper quiet operation at 66dB
- Front-facing full-color 7-inch touchscreen display

INTERIOR CONSTRUCTION

- Fully insulated 304 stainless steel cook chamber
- Patented linear air impingement heating technology with variable-speed recirculation system
- Patented independently controlled top and bottom infrared emitters
- Illuminated oven cavity while in operation
- Easy to clean design with dishwasher safe trays and filters

STANDARD FEATURES

- Integrated catalytic converter for UL listed ventless operation
- Intuitive touch controls can store 1000+ recipes with dozens of standard icons and full color product images
- Industry leading online menu & recipe software allows for easy menu creation and management via USB drive
- FlexTemp[™] dynamic temperature management allows ±25°F between cook cycles
- Self-diagnostics for monitoring oven components and performance
- Smart Voltage Sensor Technology* manages variances in 208 & 240V operations
- High visibility countdown timer
- ¼ sheet pan or 14-inch pizza capacity
- External easy-access air filtration
- Programmable cavity venting for humidity management
- 6-ft cord and plug
- 1 year Parts and Labor Warranty
- Productivity: www.ventionovens.com/pizza-calculator-yield-per-hour

STANDARD OPTIONS & ACCESSORIES

- Stainless steel exterior standard - (11) alternate colors available
- Dozens of accessory options available

CERTIFICATIONS



This product conforms to the ventilation recommendations set forth by NFPA96 using EPA202 test method.

* Smart Voltage Sensor Technology does not compensate for lack of or over voltage situations. It is the responsibility of the owner to supply voltage to the unit according to the product specifications.

[†] Ventless certification is for all food items except for foods classified as "fatty raw proteins." Such foods include bone-in, skin-on chicken, raw hamburger meat, raw bacon, raw sausage, steaks, etc. If cooking these types of foods, consult local HVAC codes and authorities to ensure compliance with ventilation requirements. Ultimate ventless allowance is dependent upon AHJ approval, as some jurisdictions may not recognize the UL certification or application. If you have questions regarding ventless certifications or local codes, please email connect@ventionovens.com.



OventionOvens.com | 855.298.6836 | connect@ventionovens.com
Search "Ovention" to download our app.

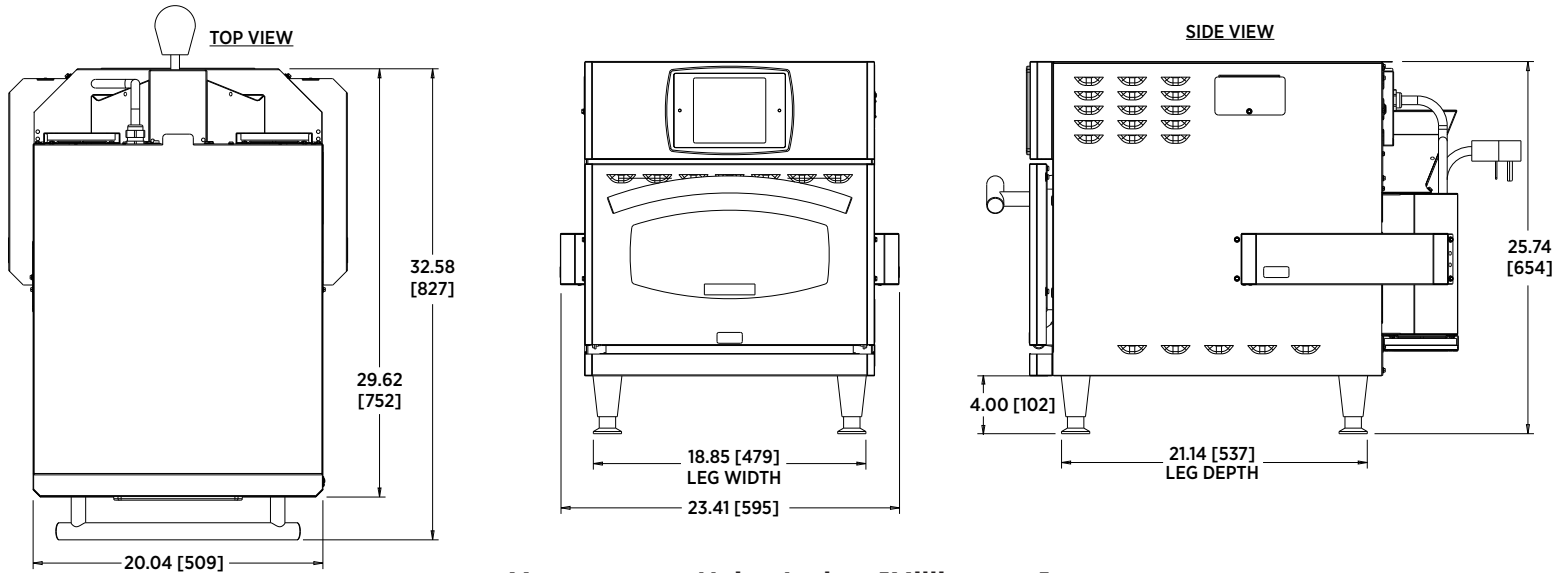


DOC# MiLO[®]-14 • Revision 2/2023

Specifications are subject to change without notice and are not intended for installation purposes.


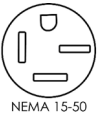


Single MiLO[®]-14 Oven



Measurement Units: Inches [Millimeters]

DIMENSIONS		
HEIGHT with optional 4" legs	25.74"	654 mm
WIDTH	23.41"	595 mm
DEPTH	32.58"	827 mm
WEIGHT	163 lb.	74 kg
CAVITY DIMENSIONS		
HEIGHT	4"	102 mm
WIDTH	15.5"	394 mm
DEPTH	14.3"	363 mm
MINIMUM CLEARANCE		
LEFT/RIGHT/BACK	0"/0"/1"	0/0/25 mm
SHIPPING INFORMATION		
CUBE (LxWxH)	38" x 34" x 38"	965 mm x 864 mm x 965 mm
SHIPPING WT.	205 lb.	93 kg
FREIGHT CLASS	110	
POINT OF ORIGIN	Sturgeon Bay, WI, USA	

ELECTRICAL SPECIFICATIONS			
US 1-ph	208-240 VAC, 60 Hz, 1-ph, 25/29 Amps, UL, NEMA 6-30 and 6 ft cord, nominal - standard	Max Input: 6.8kW Heater Input: 6.4kW	 NEMA 6-30
			 NEMA 15-50
US/CANADA 3-ph	208-240 VAC, 60 Hz, 3-ph, 25/29 Amps, cULus, NEMA 15-50 and 6 ft cord, nominal		

SHORT FORM SPECIFICATIONS

Provide MiLO[®]-14 Oven, electric, countertop, ventless, single decks variable linear impingement airflow with independently controlled top and bottom infrared emitters, store over 1000 recipes, internal catalytic converter, programmable vent for humidity control, ¼ sheet pan or 14" pizza capacity per deck, touchscreen display, built-in self-diagnostics, USB menu upload, 430 ss exterior, 304 ss interior, 4" adjustable legs, Made in USA, cULus, UL EPH Classified, ANSI/NSF 4.

Due to periodic changes in designs, methods, procedures, policies and regulations, the specifications contained in this sheet are subject to change without notice. While Ovention[®] exercises good faith efforts to provide information that is accurate, we are not responsible for errors or omissions in information provided or conclusions reached as a result of using the specifications. By using the information provided, the user assumes all risks in connection with such use.

